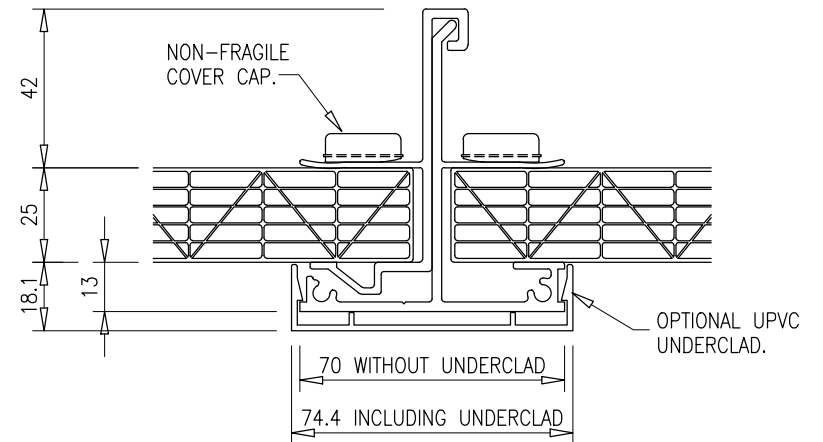


VIEW ON MULTI-LINK ASSEMBLY



SECTION THROUGH 25mm MULTI-LINK BAR

<p>TWINFIX TWINWALL FIXINGS (UK) Ltd., 201 Cavendish Place, Birchwood Park, Birchwood, Warrington WA3 6WU Tel: 01925 811311 Fax: 01925 852955</p>	DRAWING TITLE		JOB No.
	25mm MULTI-LINK BAR + 3D VIEW		-
CLIENT	DRAWN	DATE	SCALE
	DAN SMITH	07.NOV.12	1:2 @ A4
STATUS	PROJECT	DRAWING N°	REV N°
FOR INFORMATION ONLY		DSG-5037	