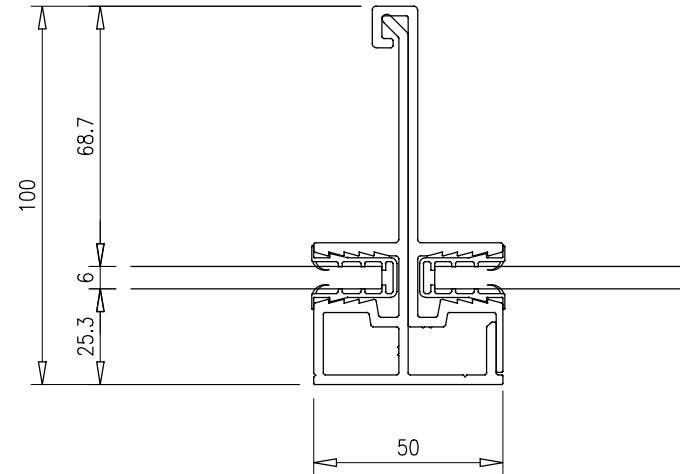


VIEW ON MULTI-LINK ASSEMBLY



SECTION THROUGH 50mm WIDE 6mm MULTI-LINK BAR

<p><b>TWINFIX</b>                  TWINWALL FIXINGS (UK) Ltd.,                  201 Cavendish Place, Birchwood Park, Birchwood,                  Warrington WA3 6WU                  Tel: 01925 811311 Fax: 01925 852955</p>	DRAWING TITLE			JOB No.
	50mm WIDE 6mm SOLID ML BAR + 3D VIEW			-
STATUS	CLIENT	DRAWN	DATE	SCALE
	FOR INFORMATION ONLY	D.ROBINSON	04.DEC.17	1:2 @ A4
	PROJECT	DRAWING N°	REV N°	
		DSG-5072		