

SPECIFICATION / NOTES:

ROOF GLAZING
 BAR/PANEL TYPE - 286 BASE, 320 CAP
 FRAGILITY - FRAGILE ROOF
 GLAZING MATERIAL - POLYCARBONATE
 GLAZING THICKNESS - 25mm
 GLAZING COLOUR - OPAL

STRUCTURE
 STRUCTURE MATERIAL - ALUMINIUM
 STRUCTURE COLOUR -
 1 No. RAL 7035 (GREY)
 1 No. RAL 1021 (YELLOW)
 1 No. RAL 5010 (BLUE)

SECTIONS - AS INDICATED ON DRAWING
 FINISH - POLYESTER POWDER COATED

PRESSINGS
 MATERIAL - ALUMINIUM

RAIN WATER GOODS
 NONE

GROUNDWORKS
 CONCRETE TYPE - C30 (MINIMUM)
 FOUNDATION POT SIZE - AS PER DRAWING
 BACK FILL MATERIAL - ASPHALT BY OTHERS
 MINIMUM GROUND BEARING PRESSURE -
 50kN/M² (TO BE CONFIRMED BY OTHERS)

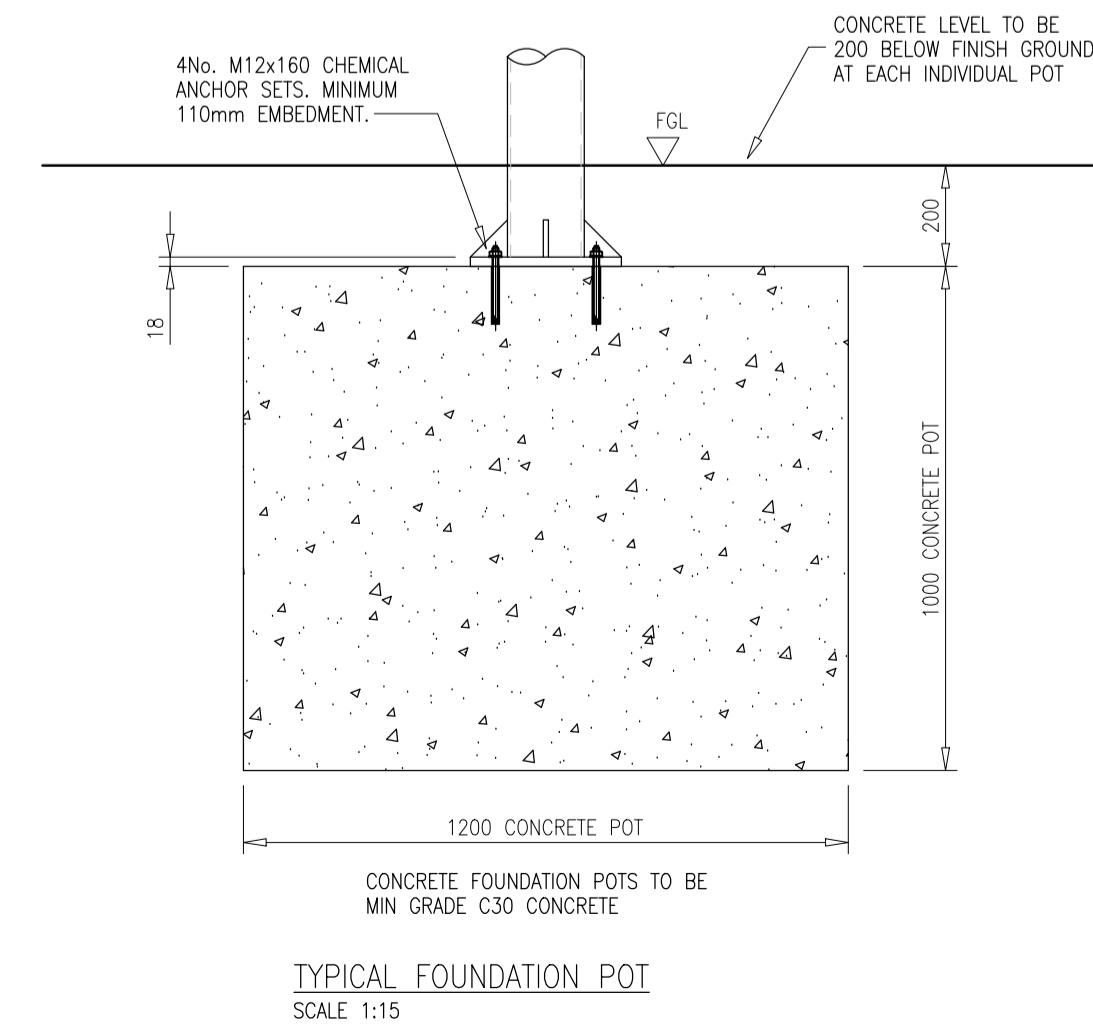
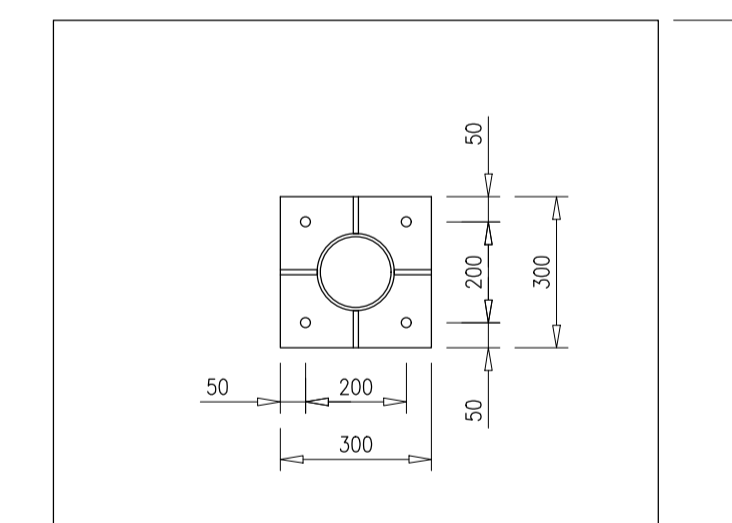
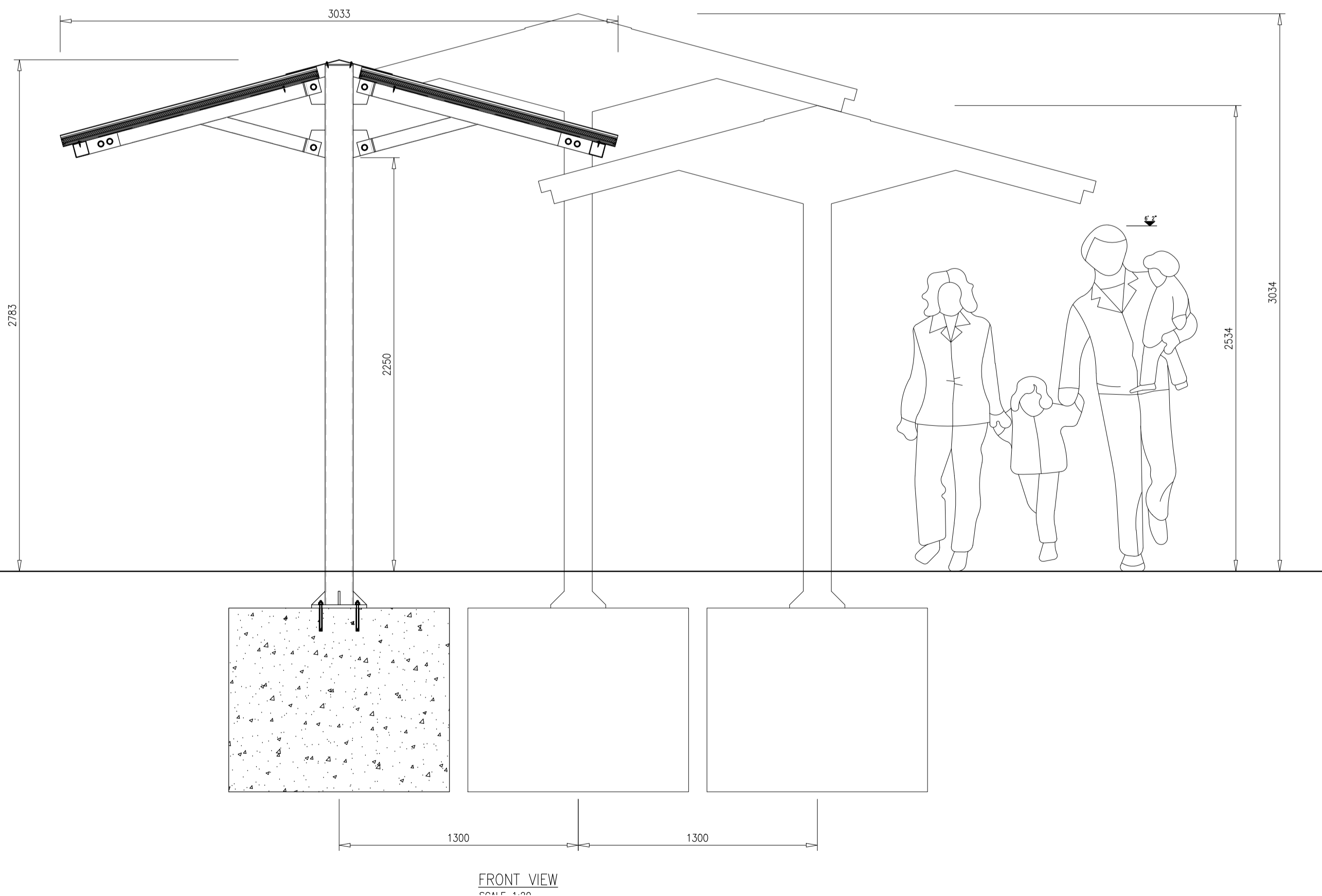
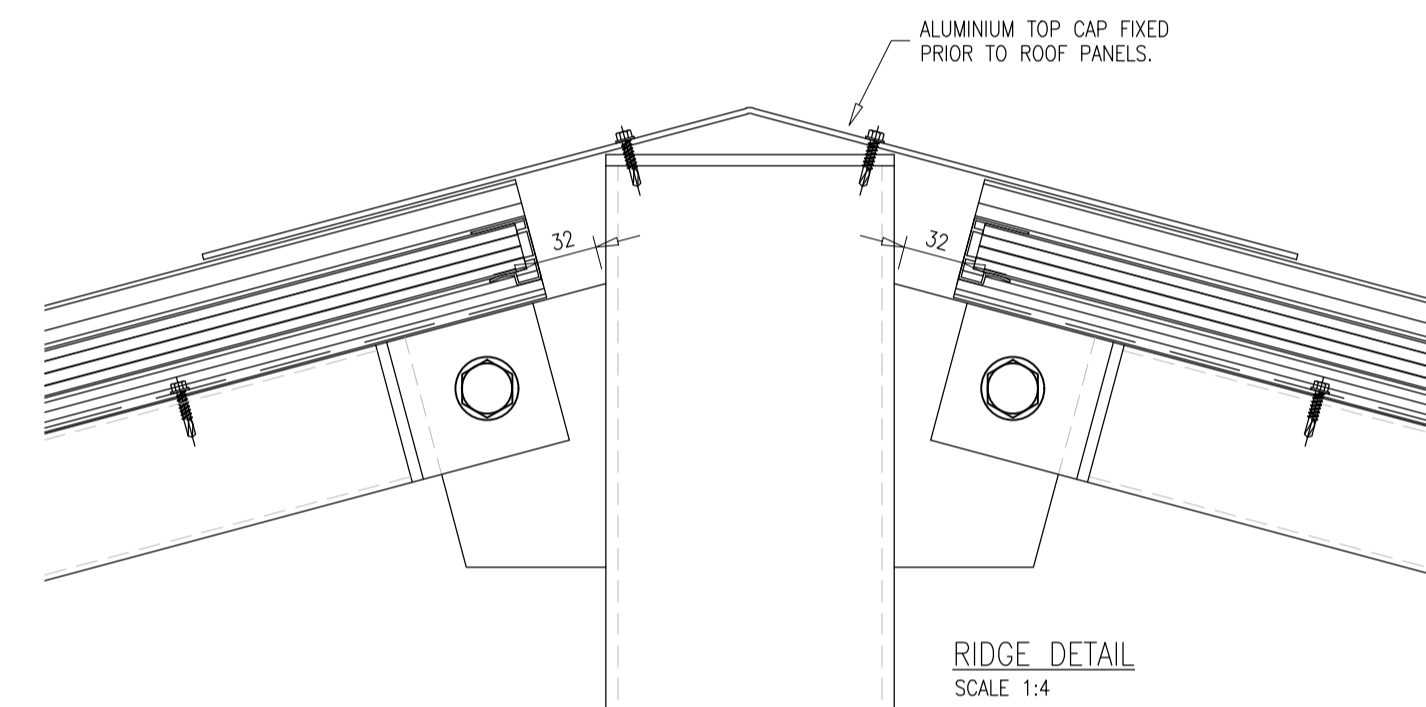
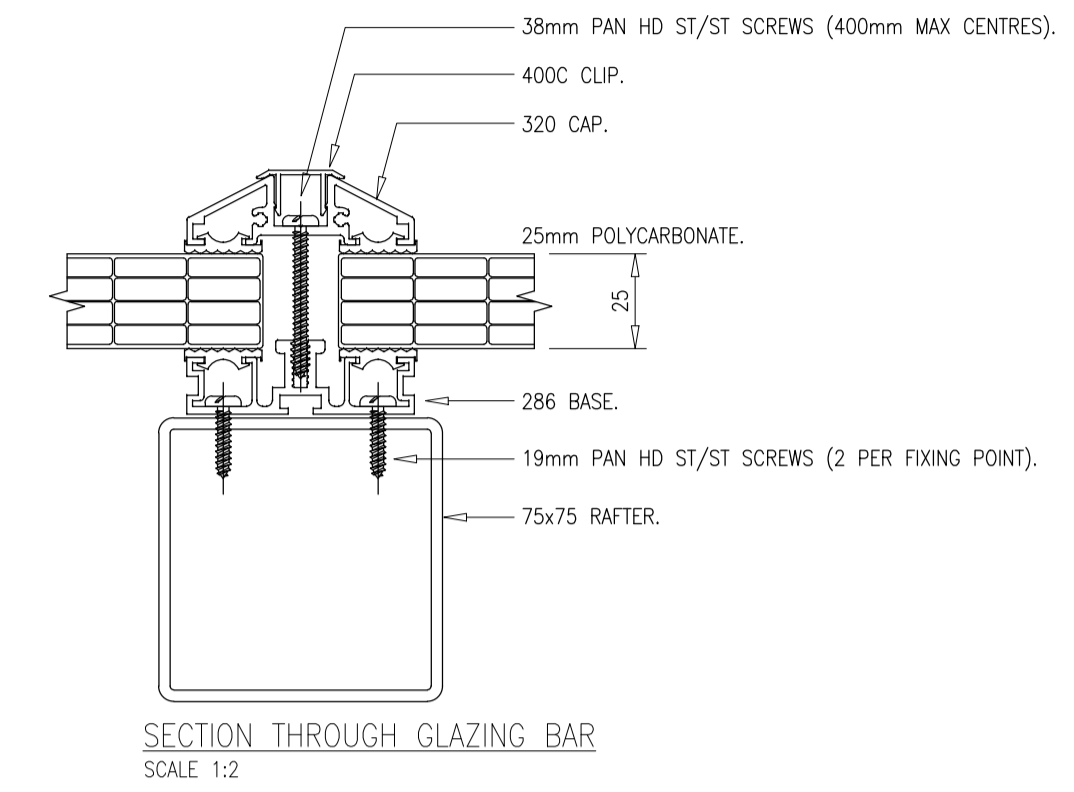
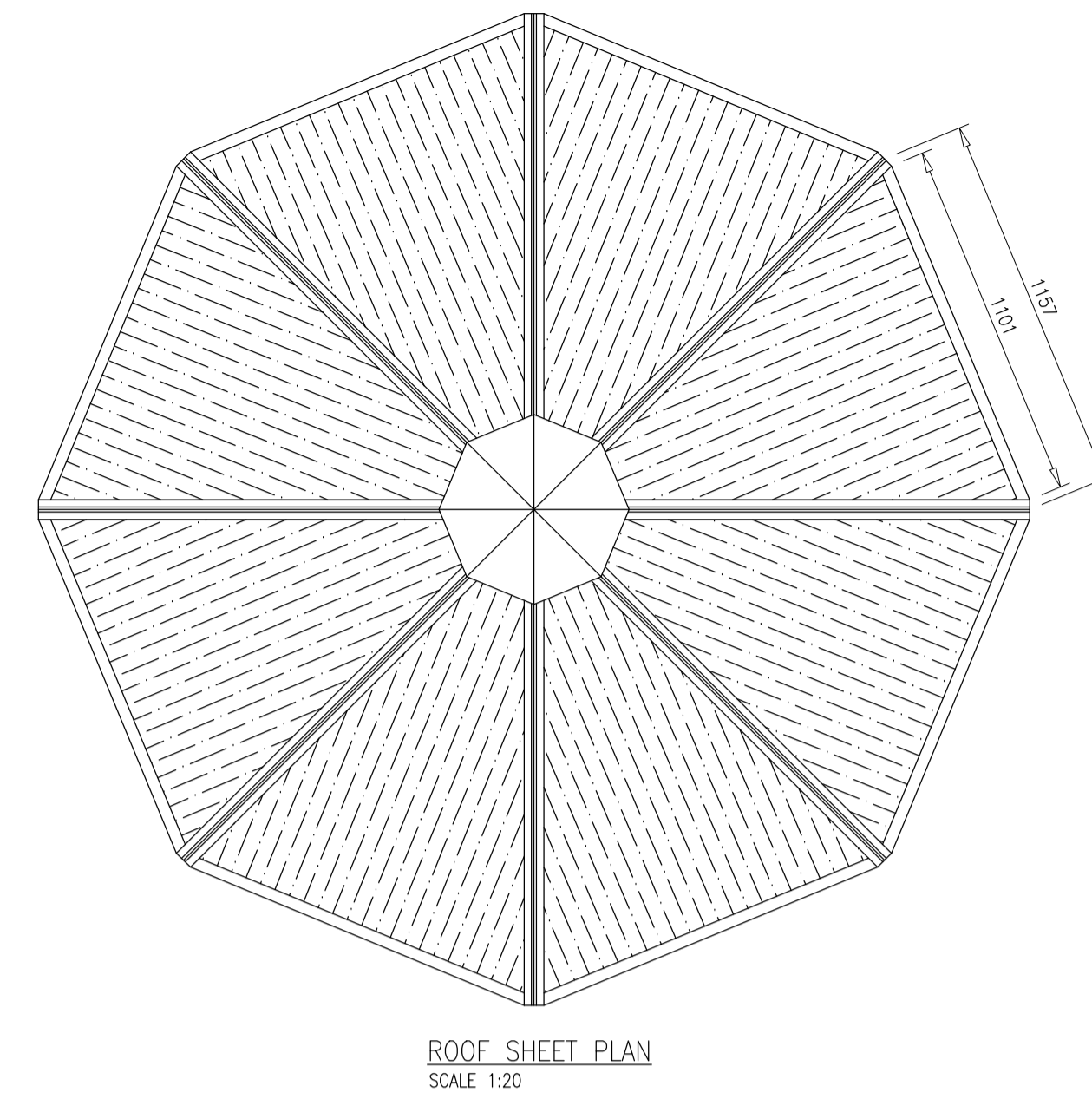
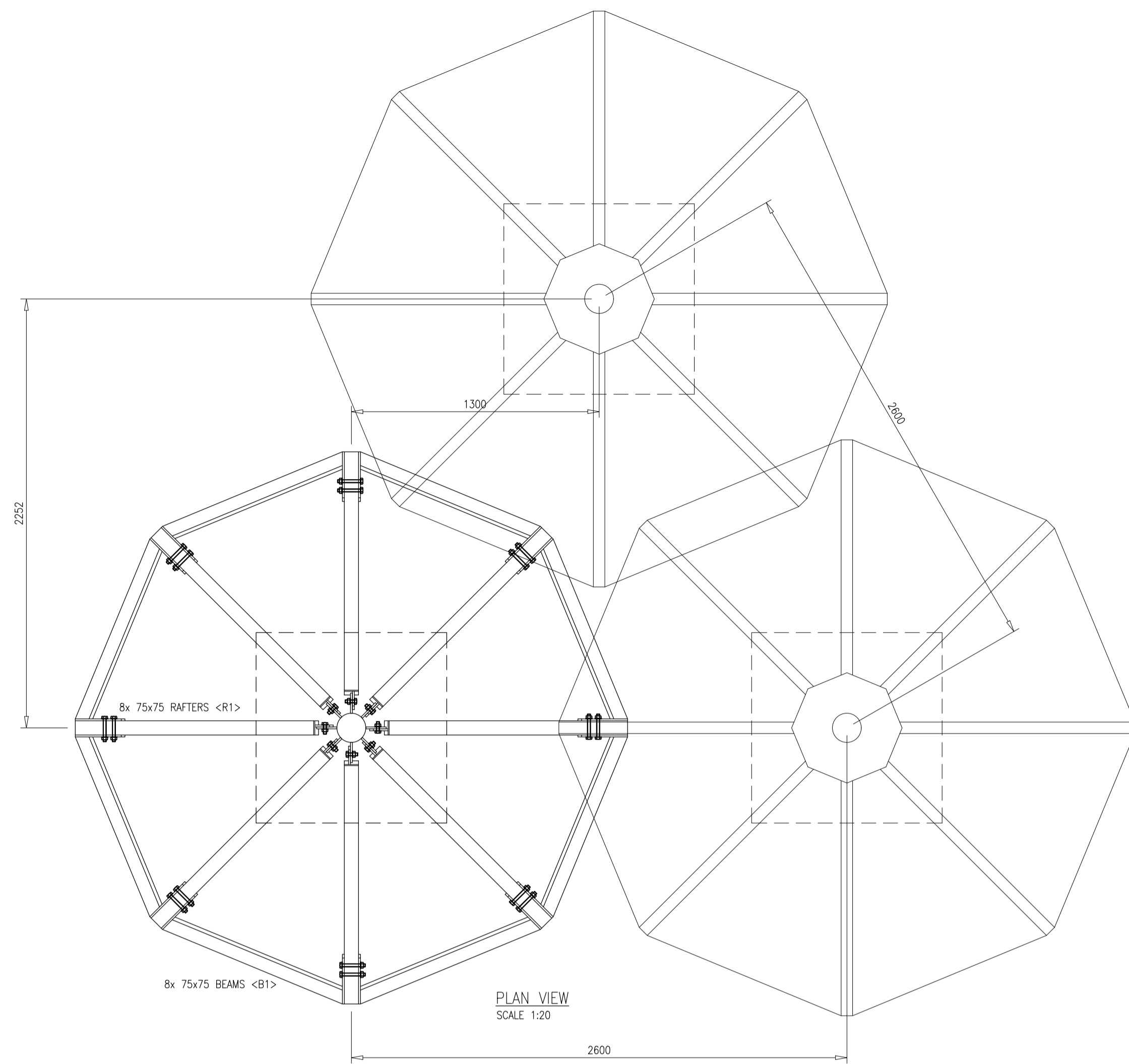
FIXINGS
 ALL FIXINGS SCREWS TO BE STAINLESS

SETTING OUT DIMENSIONS TAKEN FROM
 QUOTATION ONLY

SETTING OUT DIMENSIONS
 CANOPY SETTING OUT DIMENSIONS ARE THE
 RESPONSIBILITY OF TWINFIX
 FOUNDATION SETTING OUT DIMENSIONS ARE THE
 RESPONSIBILITY OF TWINFIX

TOLERANCES
 UNLESS STATED OTHERWISE
 GENERAL BUILDING DIMENSIONS +/- 10mm
 SETTING OUT DIMENSIONS +/- 25mm
 FABRICATION DIMENSIONS +/- 2mm
 PRODUCTION DIMENSIONS +/- 2mm
 ALL TOLERANCES ARE NON-ACCUMULATIVE

GENERAL
 ALL DIMENSIONS IN MILLIMETERS UNLESS
 STATED OTHERWISE.
 FOR WELDING STANDARDS REFER TO TWINFIX
 STANDARD FABRICATION FOLDER SHEET
 REFERENCES CMP-WS01 TO 06 INCLUSIVE
 (AVAILABLE ON REQUEST).
 DO NOT SCALE FROM THIS DRAWING.



REV. NO.	DESCRIPTION OF REVISION	DATE	BY
-	-	-	-

STATUS: **CONSTRUCTION ISSUE**

TWINFIX
 TWINFIX LIMITED
 201 CAVENDISH PLACE,
 BIRCHWOOD PARK,
 BIRCHWOOD,
 WARRINGTON
 WA5 0RU
 TEL: 01925 811 311
 WEB: www.twinfix.co.uk
 EMAIL: sales@twinfix.co.uk

CE, ISO 9001, ISO 14001, nfm

This drawing is a confidential communication and is the property of Twinfix Limited and is returnable on request. It must not be copied, loaned or communicated without the written consent of Twinfix Limited. ©20

CUSTOMER: **BROOKLANDS ACADEMY TRUST**

PROJECT: **BROOKLANDS ACADEMY TRUST**

DRAWING TITLE: **CANOPY LAYOUT AND SECTION DETAILS**

SIZE: A1 SCALE: 1:20,15,4,2 DRAWING ISSUE: 01.AUG.19 DRAWN BY: DAN SMITH

PROJECT No. AREA No. (S) DWG No. REV No.

20049 -1-2-3 GA-01 --