

## Glass Polygons



*The Twinfix range of high quality rooflights are designed to provide the maximum efficient distribution of natural light, together with a variety of ventilation options.*

- Building Regulation Part L compliant design to achieve low U value targets
- Non Fragile in accordance with ACR[M]001:2005 and CWCT TN67
- Ventilation options for Natural Ventilation are available in larger sized rooflights

Twinfix self-supporting Polygons are designed to be installed to a weathered builder's kerb. All Polygons are purpose made to suit variable overall kerb sizes, within a span range from 1.5m to 7m.

The number of facets for the polygon is subject to bespoke design. Twinfix standard is:

- Eight facets for Polygons up to 2.5m span
- Ten facets for Polygons up to 3.2m span
- Twelve facets for Polygons up to 7m span

Twinfix Polygons are manufactured from mill finish or polyester powder coated aluminium extrusions and are glazed with hermetically sealed argon filled double glazed units as standard.

## Standard Glazing Options

Glazing	Glazing Options	U-Value	Light Transmission	G-Value
Outer: 4mm Toughened Cavity: 16mm Argon Inner: 6.4mm Laminated with soft Low-E coating	Clear	1.2 W/m <sup>2</sup> K	79%	0.70
	Self-Cleaning	1.2 W/m <sup>2</sup> K	76%	0.67
	Tinted Bronze	1.2 W/m <sup>2</sup> K	53%	0.51
Outer: 6mm Toughened Cavity: 16mm Argon Inner: 6.4mm Laminated with soft Low-E coating	Clear	1.2 W/m <sup>2</sup> K	78%	0.68
	Solar Control	1.1 W/m <sup>2</sup> K	67%	0.41
	Self-Cleaning	1.2 W/m <sup>2</sup> K	76%	0.65
	Tinted Bronze	1.2 W/m <sup>2</sup> K	43%	0.42
Other glazing options or specification are available on request				

## British Standards

Twinfix Polygons are designed to standard loadings of 640 N/m<sup>2</sup> (wind) and 750 N/m<sup>2</sup> (snow) and in accordance with the following British Standards:

- BS 6375 : Part 1 : Weather Tightness
- BS EN 1026 : Air Permeability
- BS EN 1027 : Water Tightness Test
- BS EN 12211 : Wind Resistance Test

## Pitch Options

Standard pitch angle is 30°.

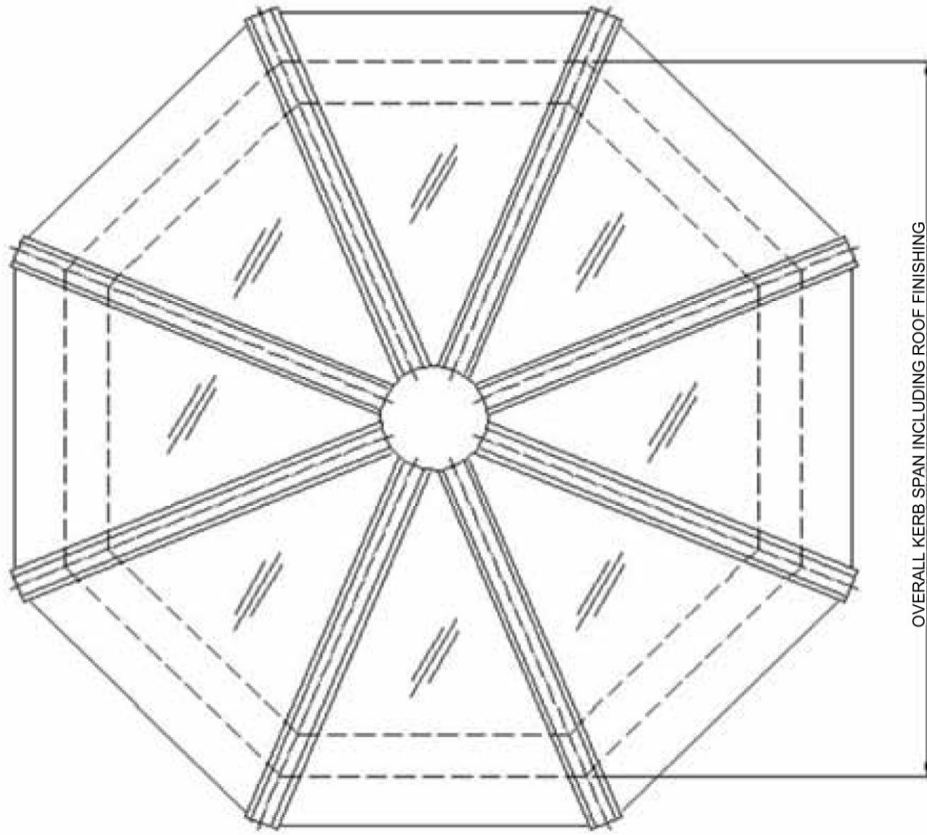
Other pitch angles from 15° to 60° can be accommodated by bespoke design.

**Standard 30° Polygons with stepped edge glazing detail** are available for an overall kerb span range from 1500mm to 3200mm.

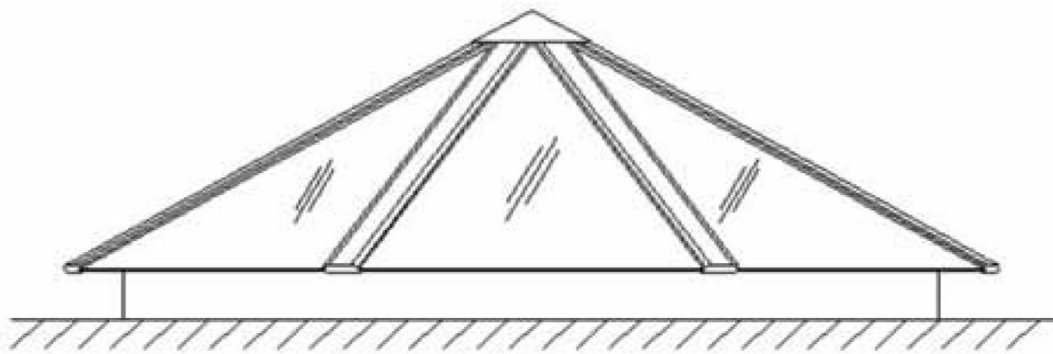
**Bespoke variable pitch Polygons** are available for an overall span range of 1500mm to 7000mm. Minimum pitch angle is 15°.

For further information please contact our Sales or Technical Department.

## Typical Details

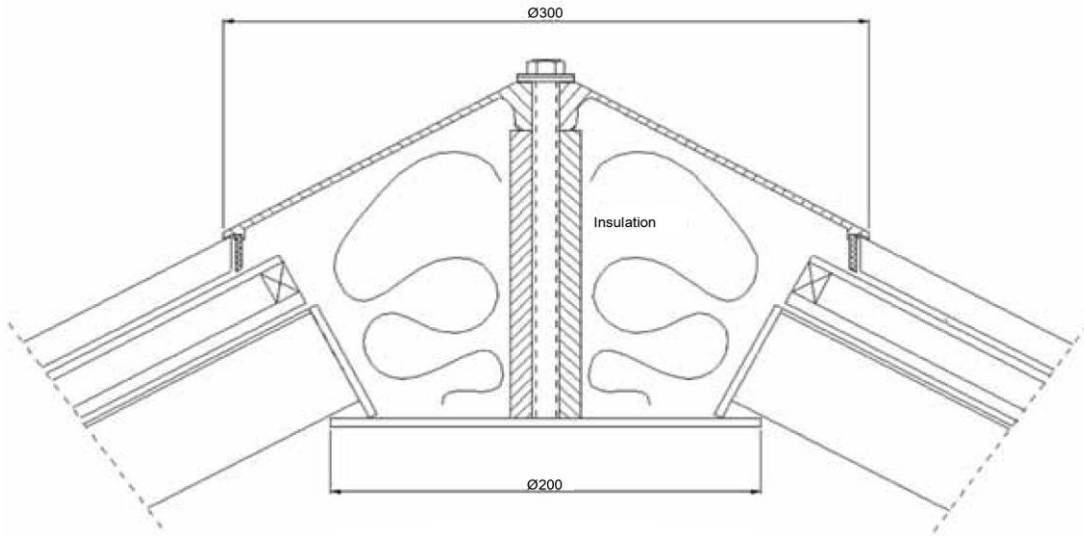


Plan View

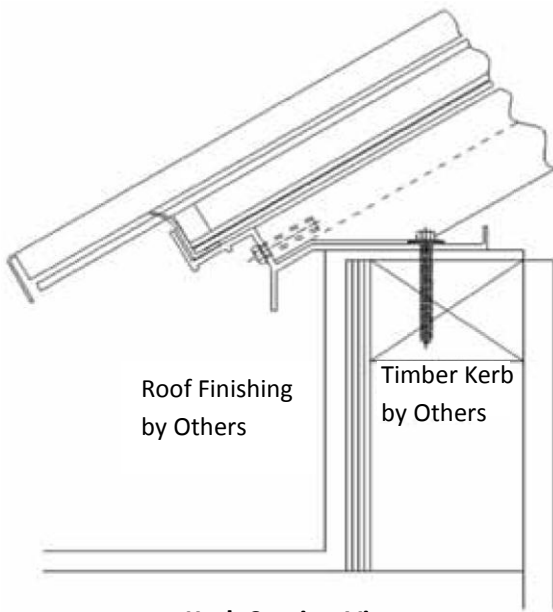


End Elevation View

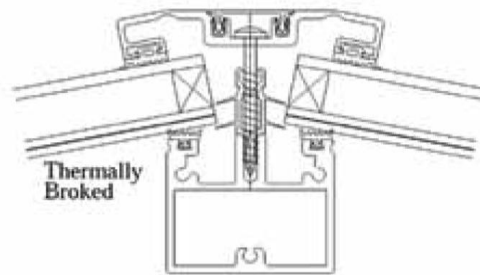
## Typical Details



**Apex Section View**



**Kerb Section View**



**Hip Section View**

As our policy is one of continuous improvement, we reserve the right to change specifications without prior notice. All information, recommendations or advice (written or oral) given by Twinfix is given in good faith and to the best of our knowledge.

©June 2011