

## All you need to know about...

# P284 Structural Glazing System

January 2010

### Standard System

<b>Reference:</b>	<b>P284</b>
<b>Colour:</b>	<b>White or Brown</b>
<b>Length:</b>	<b>3 metres, 4 metres and 6 metres</b>
<b>Span:</b>	<b>3.2 metres</b>

### Description:

An aluminium structural glazing system into which multiwall polycarbonate or glass can be fitted. When glazing with multiwall polycarbonate the P284 system is capable of spanning up to 3.2 metres between fixing points\*. For applications longer than 3.2 metres span, an intermediate cross purlin should be installed to create a further fixing point, alternatively use the P288 system which can span up to 4.0 metres. The P284 system will accommodate glazing up to 25mm in thickness.

The P284 system consists of an aluminium base bar (ref.283) and a shaped aluminium glazing bar cap (ref.280), gaskets, uPVC thermal underclad (ref. 284) and an end plate (ref.280EP). The base bar on the P284 system is supplied in mill finish even if the cap is white or brown, this is because the base bar is cloaked by the underclad and is not visible. This enables us to price the P280 and P284 system at the same price.

The underclad is clipped onto the base bar and is fitted to the ridge and eaves support, the glazing sheet sits on the gasket and the cap is drilled at intervals no more than 300mm apart. Screws are then fitted through the cap into the central stalk of the base bar. The length of screw differs with each thickness of glazing sheet.

For applications without good ventilation i.e. enclosed sides, it is recommended that the P284 system be used as the uPVC thermal underclad is designed to minimise the risk of condensation forming. For applications with good ventilation i.e. with open sides, the system would be supplied without the underclad. This is known as the P280 system and is explained on a separate 'All you wanted to know about' information sheet.

The P284 system is supplied as a pre-pack in 3 metre and 4 metre lengths with gaskets installed, a 6 metre requirement would be supplied as individual items rather than as a pre-pack.

### Hip System

<b>Reference:</b>	<b>P284H</b>
<b>Colour:</b>	<b>White or Brown</b>
<b>Length:</b>	<b>3 metre and 4 metre (and 6 metres as non-standard)</b>

To make the bar suitable for a hipped application, the gasket in the glazing bar cap and base is replaced by a half-round gasket and re-named as P284H. The P284H is supplied as a pre-pack in 3 metre and 4 metre lengths and as loose items in 6 metres. The 3 metre and 4 metre pre-pack consists of the aluminium glazing bar cap and base, hipped gasket and a screw fit end plate.

### Applications:

- Medium Span Roofing
- Cross Purlin Roofing
- Canopies
- Rooflights
- Swimming Pool Covers
- Garden Centre Roofing
- Conservatories
- Car Ports
- Porches

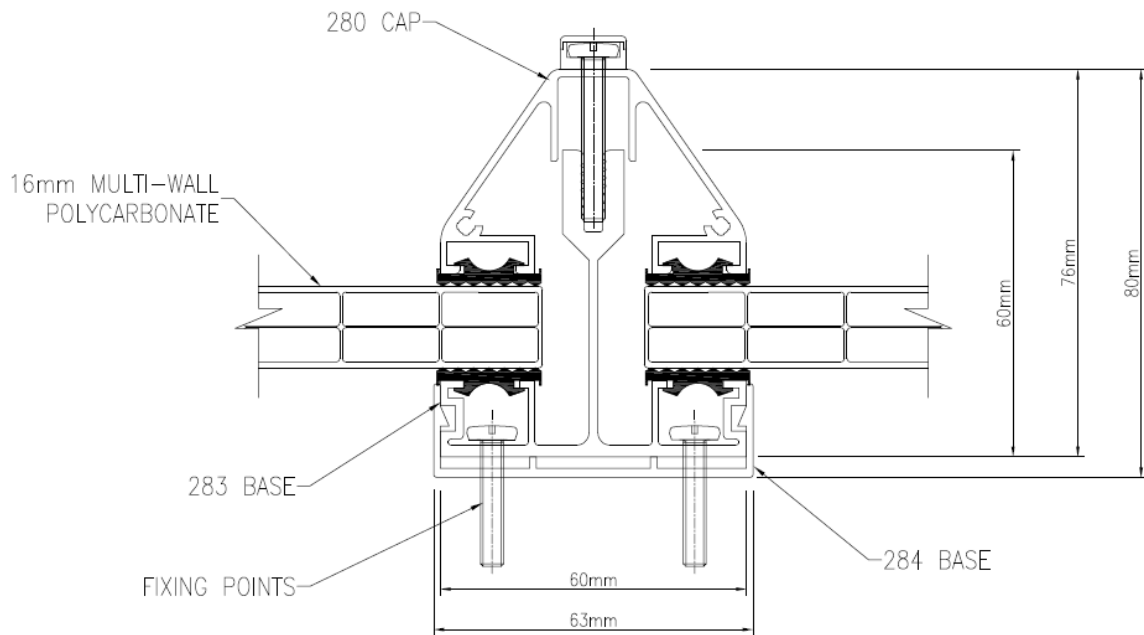
\* **NOTE:** Maximum recommended polycarbonate glazing centres, i.e.:

10mm sheet	=	700 mm
16mm sheet	=	990mm
25mm sheet	=	1250mm

### Glazing with Glass

The P284 system is suitable for use with glass. Twinfix cannot advise as to the spanning capability of the system or at what centres the glazing bars should be placed. Twinfix do recommend that a mechanically fixed end plate similar to our SB-MEP end plate be fitted at the end of each bar to stop the glass from slipping.

# P284 STRUCTURAL GLAZING BAR SYSTEM



The P284 structural glazing bar system can be used to install multiwall polycarbonate, solid polycarbonate or glass in thickness ranging from 4mm to 25mm. The P284 can be supplied either as a pre-pack complete with the aluminium base bar and bar cap, both with gasket fitted, a PVCu underclad and an end plate or as loose individual items. The P284 system can also be supplied as a hipped system, the difference being that we replace the standard gasket with a half round gasket, allowing the sheet to be glazed at an angle.

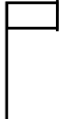

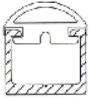
**Pack lengths available:** 3 metres, 4 metres

**Pack contents:**  
 280 aluminium bar gap with gasket fitted  
 283 aluminium base bar with gasket fitted  
 284 PVCu thermal underclad  
 280EP end plate

**Loose item lengths available:** 6 metres

**Colours available:** Mill or powder coated white or brown  
 RAL or BS colours to special order

## Complementary Fixing Accessories for use with the P284 structural glazing bar system:

<b>Side Trim</b> Ref 272 – 10mm Ref 273 – 16mm Ref 275 – 25mm		<b>U Profile</b> Ref 252 – 10mm Ref 253 – 16mm Ref 255 – 25mm	
<b>Eaves Filler</b> Ref 285F		<b>Fixing Buttons (white)</b> Ref244P – 10mm Ref245P – 16mm Ref249P – 25mm	<b>Fixing Buttons (Brown)</b> Ref247P – 10mm Ref248P – 16mm Ref250P – 25mm
<b>Anti-dust/Breather Tape</b> Ref FT or PBT 10 Ref FT or PBT 16 Ref FT or PBT 25		<b>Butyl Flashing</b> 200/20 White 200/20 Lead	