

All you need to know about...

P501 Rafter Gasket Glazing System

December 2011

Standard System

Reference: P501
Colour: White or Brown (mill finish on request)
Length: 3 metre and 4 metre (6metre can be supplied as a special)

Description:

An aluminium capped rafter gasket glazing system into which multiwall polycarbonate up to 25mm thickness can be fitted.

The P501 system is designed to be fitted onto 50mm wide rafters and consists of a 50mm wide rafter gasket (ref. 501), an aluminium cap (ref. 500), gaskets (ref226G) and a push fit end plate (ref. 500EP).

The rafter gasket is nailed to the rafter using galvanised nails at 300mm intervals, the glazing sheet sits on the rafter gasket and the cap is drilled at intervals no more than 350mm apart. 65mm stainless steel wood screws are then fitted through the cap into the rafter, a screw cover cap is needed to cover and protect the head of the screw.

The P501 system is supplied as a pre-pack in 3 metre and 4 metre lengths, 6 metre lengths supplied as loose items rather than as pre-packs may also be available..

Hip System

The P501 system is used on lean-to roofing applications, it can be used for slightly angled hips however we recommend the 226 hipped cap or the 321 hipped system onto a 60mm rafter for more angled hip applications.

Applications:

- Rafter Assembly Roofing
- Canopies
- Lean-To Conservatories
- Conservatories
- Car Ports
- Porches

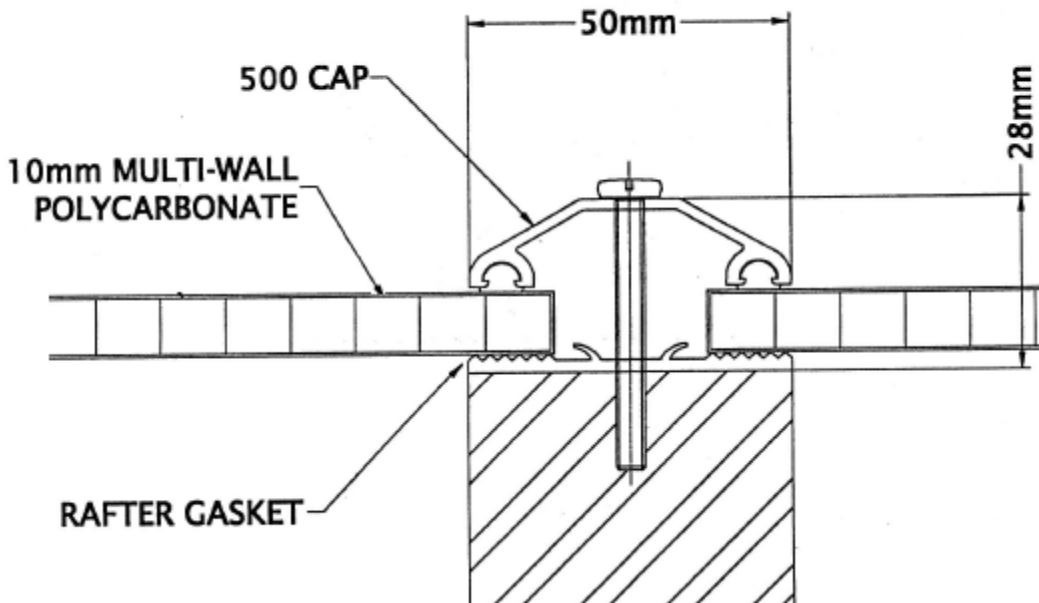
* **NOTE:** Maximum recommended polycarbonate glazing centres, i.e.:

10mm sheet	=	700 mm
16mm sheet	=	990mm
25mm sheet	=	1250mm

Glazing with Glass

The P501 system is suitable for use with glass. Twinfix cannot advise as to the size of rafters required or at what centres they should be placed. Twinfix do recommend that a mechanically fixed end plate similar to our RGMEP end plate be fitted at the foot of each bar to arrest the possible slide of the glass down the slope of the roof..




P501 RAFTER GASKET GLAZING BAR SYSTEM



The P501 system is used to install 10mm thick multiwall polycarbonate or glass ranging from 4mm to 25mm onto 50mm wide rafters. The P501 can be supplied either as a pre-pack complete with aluminium cap, gaskets and end plate or as loose individual packs.

- Rafter width:** Minimum 50mm
- Pack lengths available:** 3 metres, 4 metres
- Pack contents:**
 501 rafter gasket
 one 500 aluminium cap with gasket fitted
 one 500EP polycarbonate stop end plate
- Loose item lengths available:** 6 metres (enquire of the sales office)
- Colours available:**
 powder coated white or brown
 RAL or BS colours to special order

Complementary Fixing Accessories for use with the P501 rafter gasket system:

Side Trim Ref 272 – 10mm Ref 273 - 16mm Ref 275 - 25mm 	U Profile Ref 252 – 10mm Ref 253 – 16mm Ref 255 - 25mm 
Eaves Filler Ref 226F 	Fixing Buttons Ref 244P – 10mm (White) and 247P (Brown) Ref 245P – 16mm (White) and 245P (Brown) Ref 249P – 25mm (White) and 250P (Brown)
Anti-dust/Breather Tape Ref FT10 or PBT 10 – 10mm FT16 or PBT16 – 16mm FT25 or PBT25 – 25mm	Butyl Flashing 200/20 White 200/20 Lead

