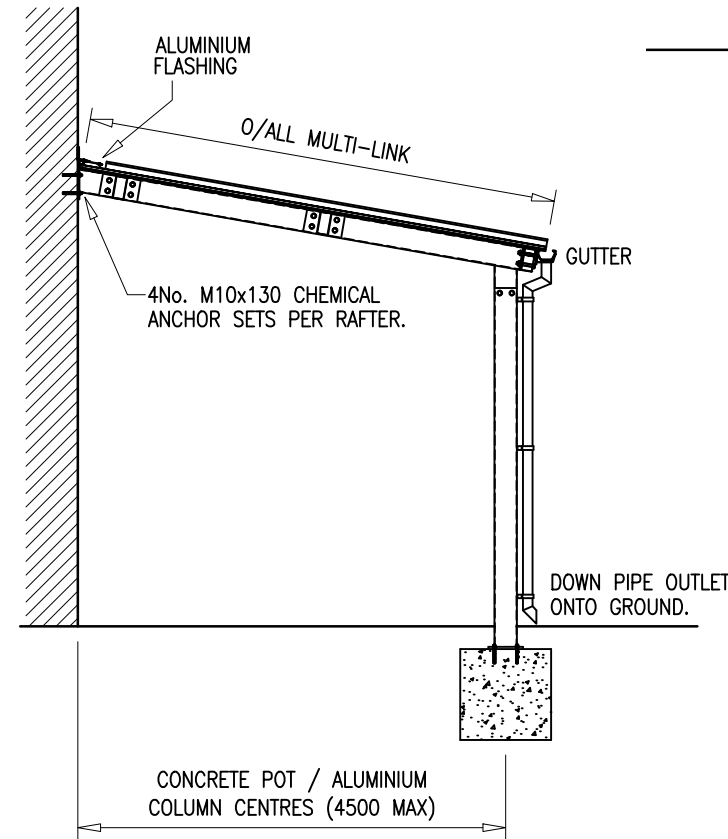
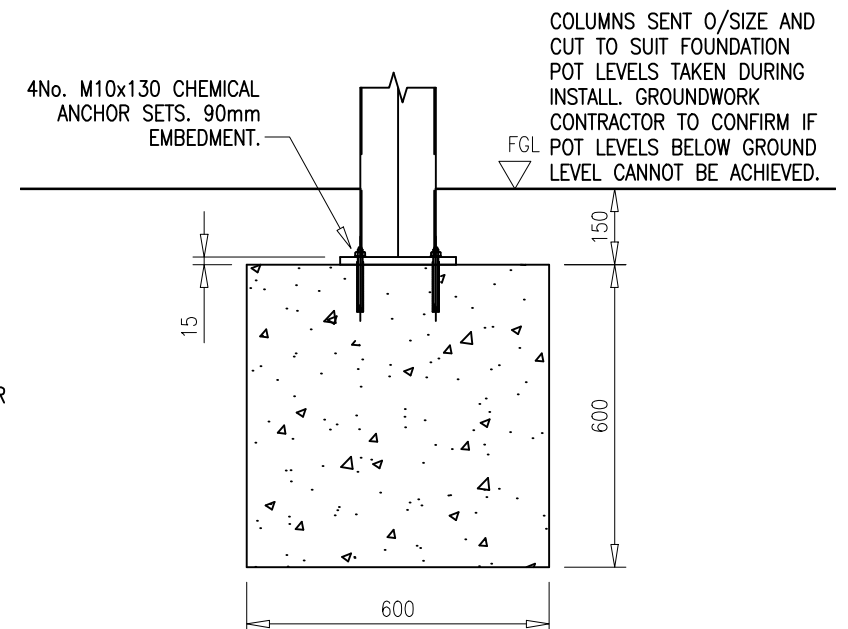


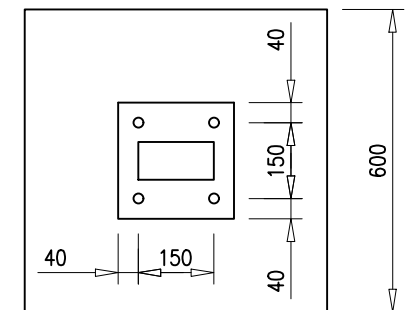
FRONT VIEW
SCALE 1:50



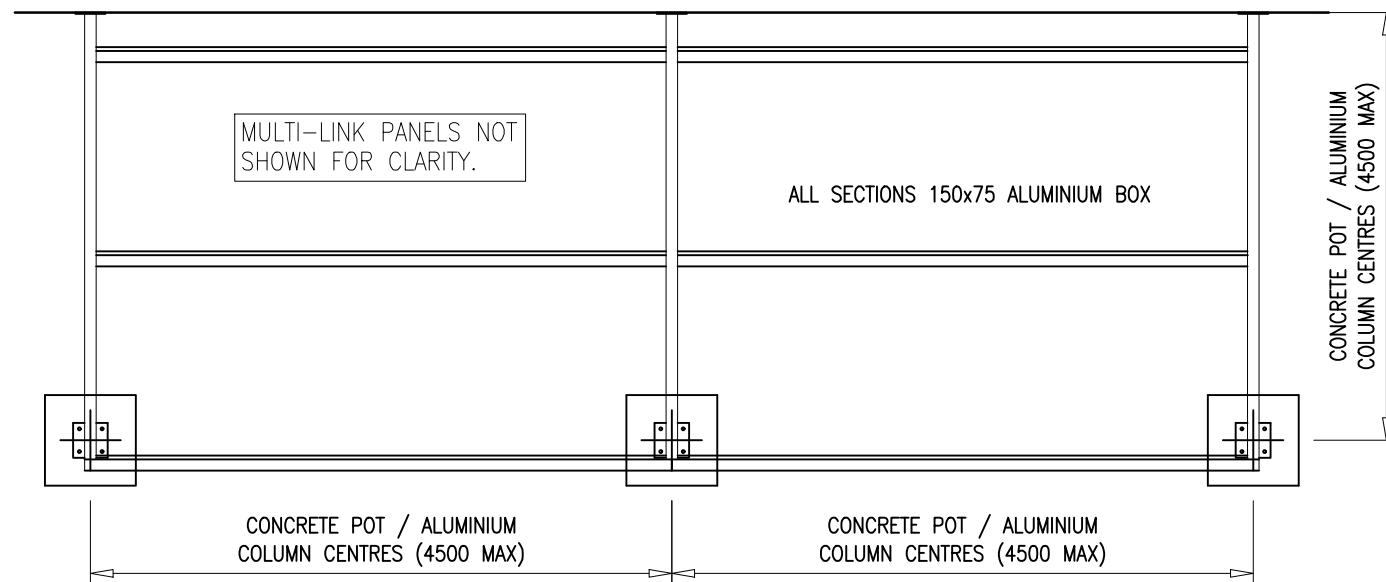
SECTION VIEW
SCALE 1:50



CONCRETE FOUNDATION POTS TO BE MIN GRADE C30 CONCRETE
SIZE MAY VARY DEPENDING ON SITE CONDITIONS



TYPICAL FOUNDATION DETAIL
SCALE 1:15



PLAN VIEW ON STRUCTURE
SCALE 1:50

R1	DETAILS UPDATED	13.01.20	R.E.
REV N°	DESCRIPTION OF REVISION	DATE	BY

TWINFIX
TWINFIX LIMITED,
201 CAVENDISH PLACE,
BIRCHWOOD PARK,
BIRCHWOOD
WARRINGTON
WA3 6WJ
TEL: 01925 811 311
WEB: www.twinfix.co.uk
EMAIL: design@twinfix.co.uk

CE HA O namm
EN 1090-1

This drawing is a confidential communication and is the property of Twinfix Limited and is returnable on request. It must not be copied, loaned or communicated without the written consent of Twinfix Limited. ©20

DRAWING TITLE
TYPICAL FABRICATED LEAN TO CANOPY LAYOUT & DETAILS

SCALE 1:50, 1:15 @ A3	DRAWING N° WB-003	REV N° R1
--------------------------	----------------------	--------------