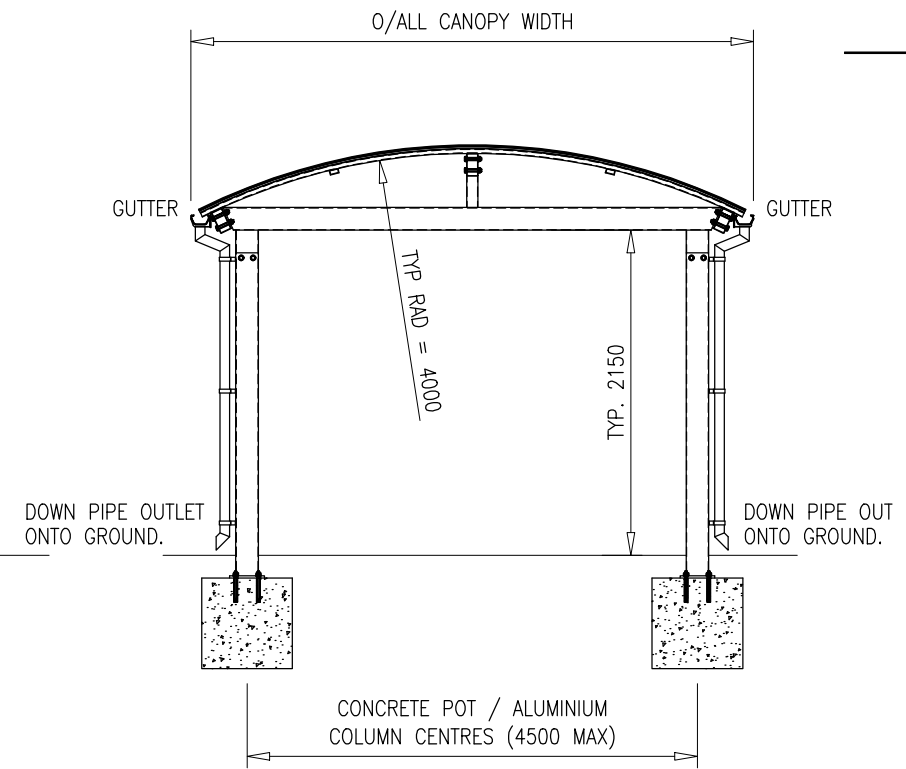
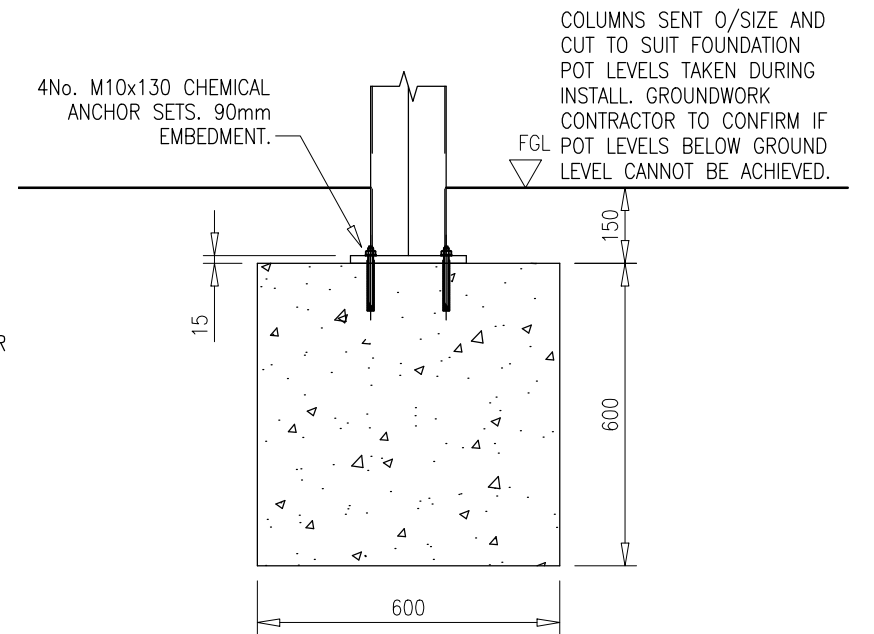


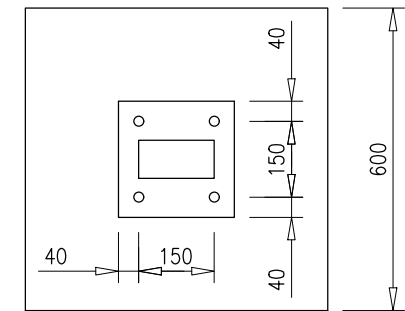
FRONT VIEW  
SCALE 1:50



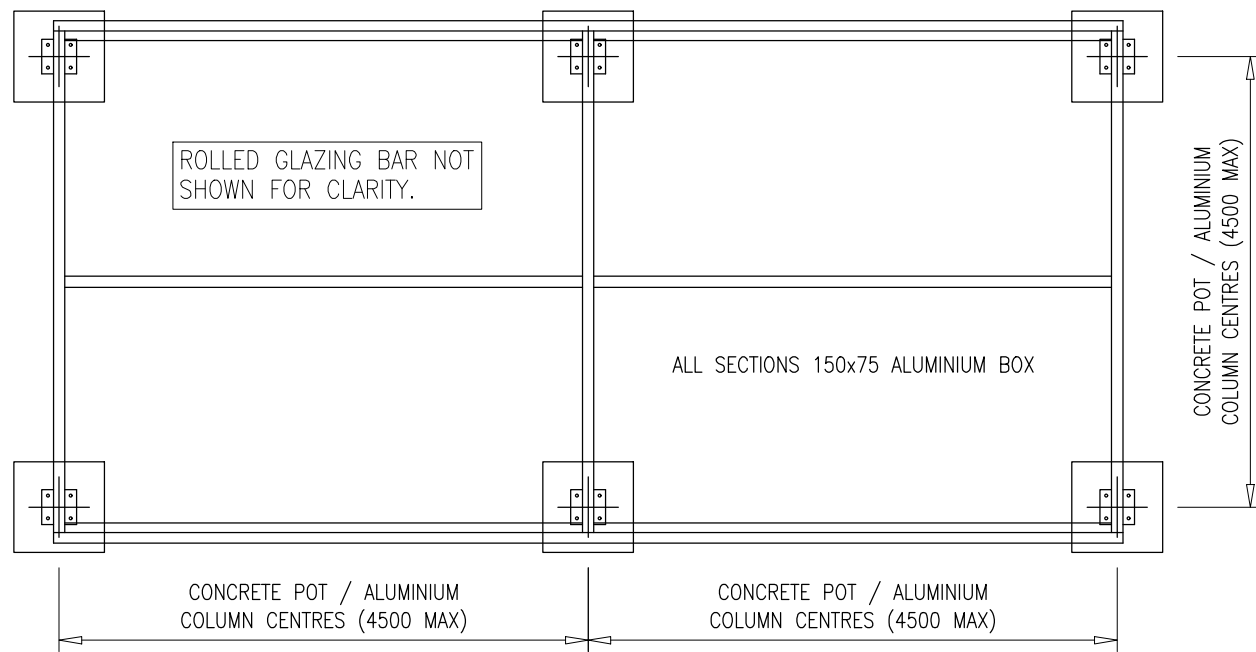
SECTION VIEW  
SCALE 1:50



CONCRETE FOUNDATION POTS TO BE MIN GRADE C30 CONCRETE  
SIZE MAY VARY DEPENDING ON SITE CONDITIONS



TYPICAL FOUNDATION DETAIL  
SCALE 1:15



PLAN VIEW ON STRUCTURE  
SCALE 1:50

R1	DETAILS UPDATED	13.01.20	R.E.
REV N°	DESCRIPTION OF REVISION	DATE	BY

**TWINFIX**  
 TWINFIX LIMITED,  
 201 CAVENDISH PLACE,  
 BIRCHWOOD PARK,  
 BIRCHWOOD  
 WARRINGTON  
 WA3 6WU  
 TEL: 01925 811 311  
 WEB: www.twinfix.co.uk  
 EMAIL: design@twinfix.co.uk

CE HA EN 1090-1

This drawing is a confidential communication and is the property of Twinfix Limited and is returnable on request. It must not be copied, loaned or communicated without the written consent of Twinfix Limited. ©20

DRAWING TITLE  
**TYPICAL FREE STANDING BARREL VAULT CANOPY LAYOUT & DETAILS**

SCALE 1:50, 1:15 @ A3	DRAWING N° WB-004	REV N° R1
--------------------------	----------------------	--------------