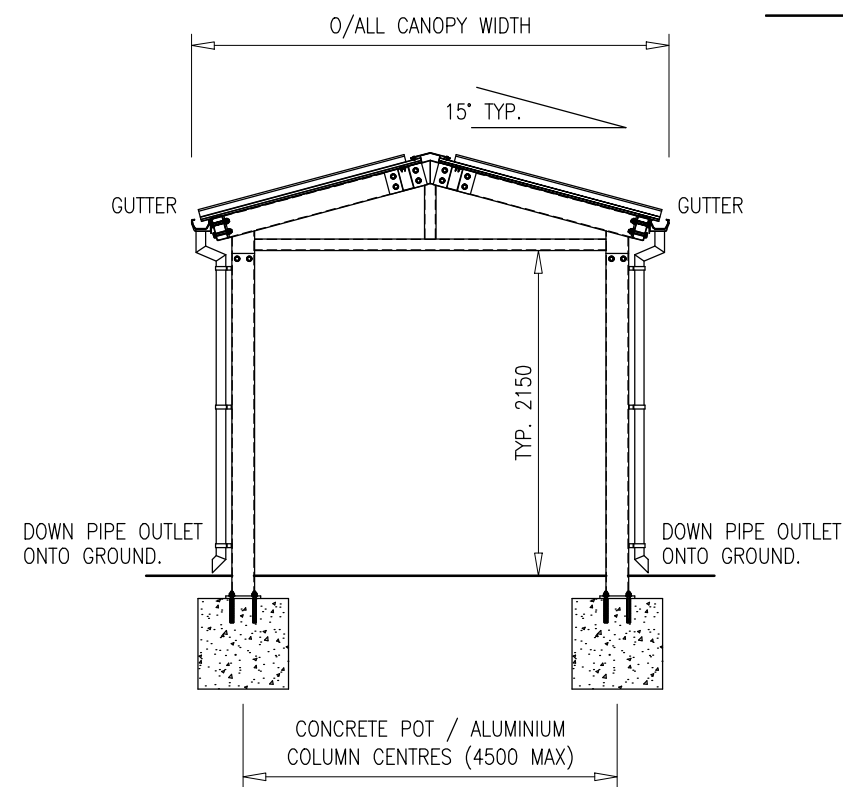
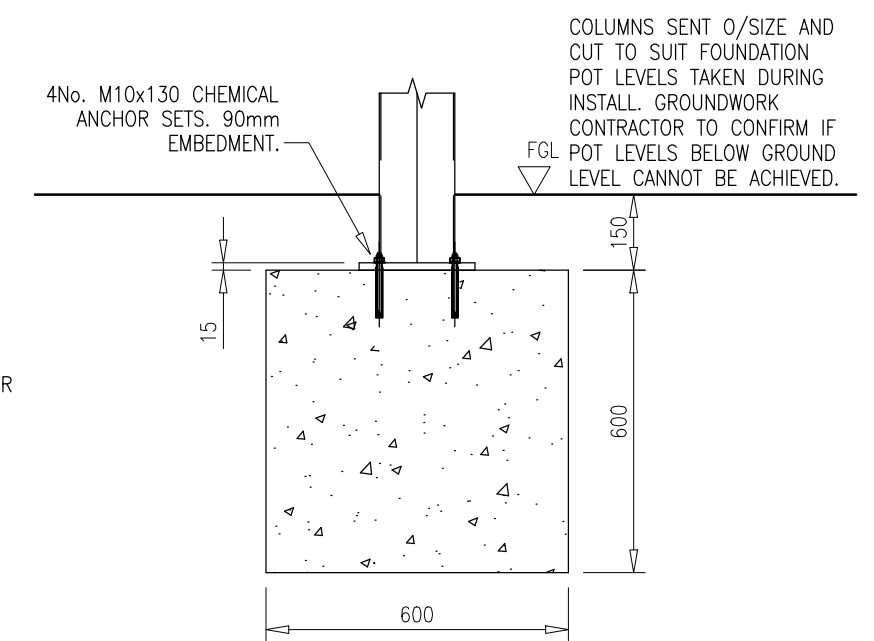


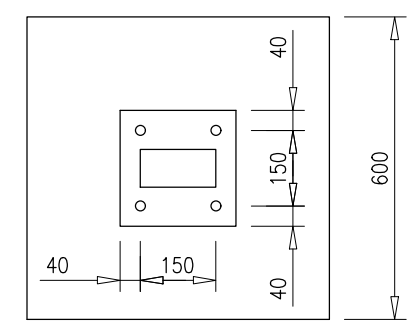
FRONT VIEW
SCALE 1:50



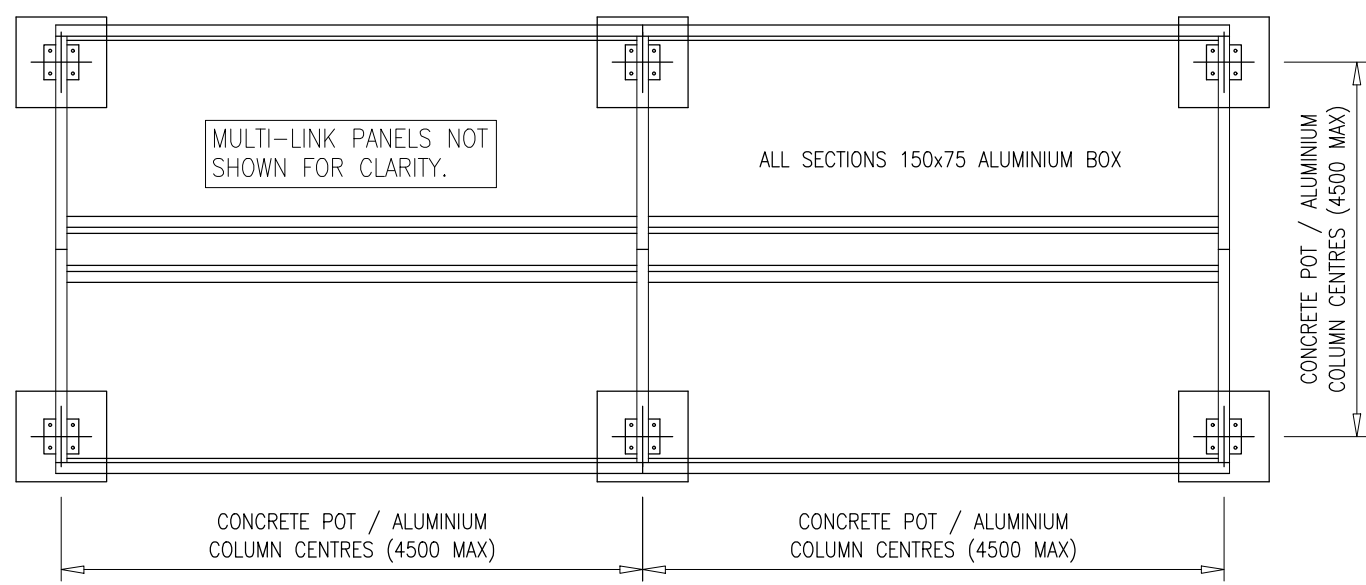
SECTION VIEW
SCALE 1:50



CONCRETE FOUNDATION POTS TO BE MIN GRADE C30 CONCRETE
SIZE MAY VARY DEPENDING ON SITE CONDITIONS



TYPICAL FOUNDATION DETAIL
SCALE 1:15



PLAN VIEW ON STRUCTURE
SCALE 1:50

R1	DETAILS UPDATED	13.01.20	R.E.
REV N°	DESCRIPTION OF REVISION	DATE	BY

TWINFIX
 TWINFIX LIMITED,
 201 CAVENDISH PLACE,
 BIRCHWOOD PARK,
 BIRCHWOOD
 WARRINGTON
 WA3 6WU
 TEL: 01925 811 311
 WEB: www.twinfix.co.uk
 EMAIL: design@twinfix.co.uk

CE HA EN 1090-1 nam

This drawing is a confidential communication and is the property of Twinfix Limited and is returnable on request. It must not be copied, loaned or communicated without the written consent of Twinfix Limited. ©20

DRAWING TITLE
 TYPICAL FREE STANDING DUO PITCH CANOPY LAYOUT & DETAILS

SCALE 1:50, 1:15 @ A3	DRAWING N° WB-005	REV N° R1
--------------------------	----------------------	--------------