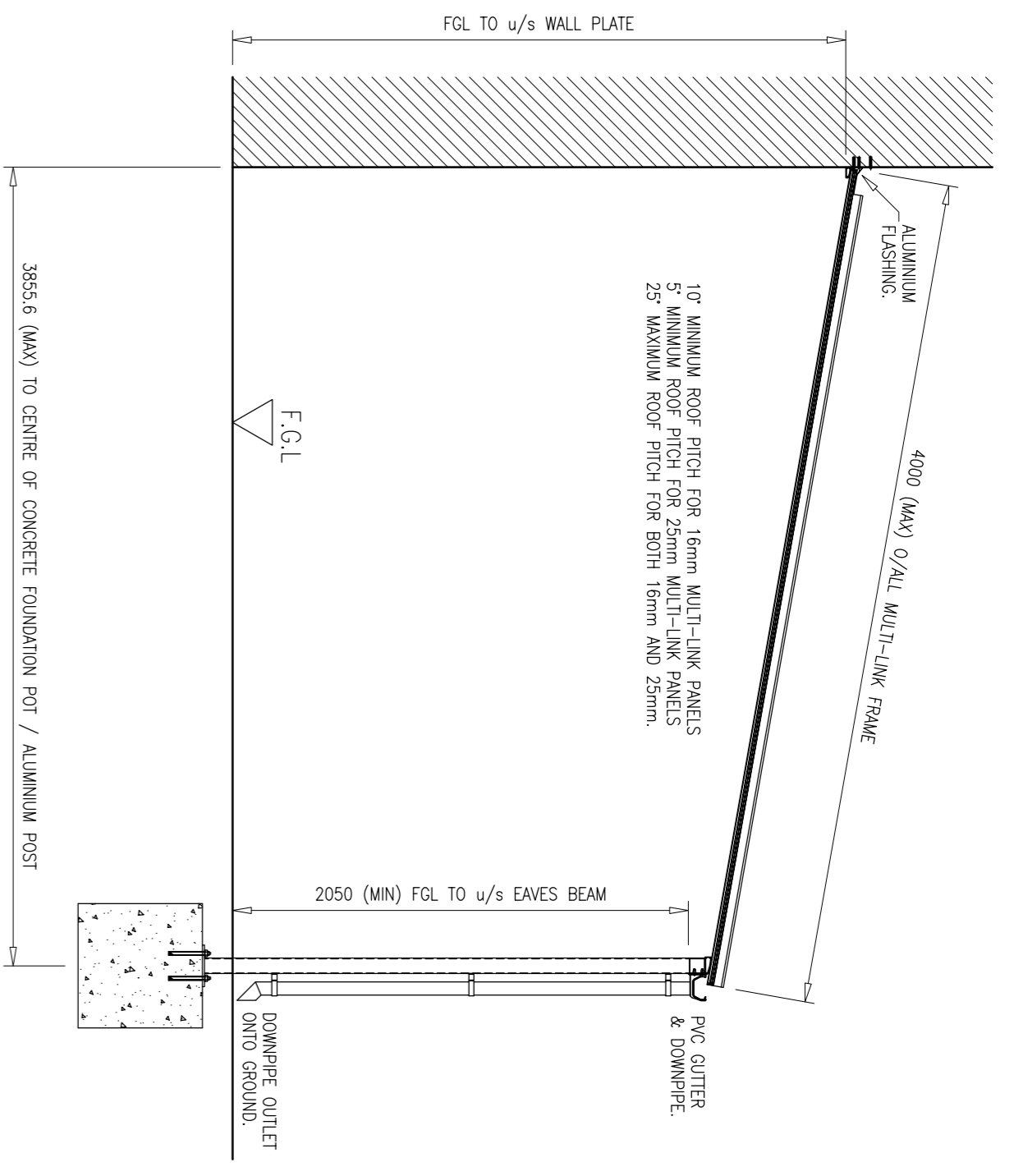
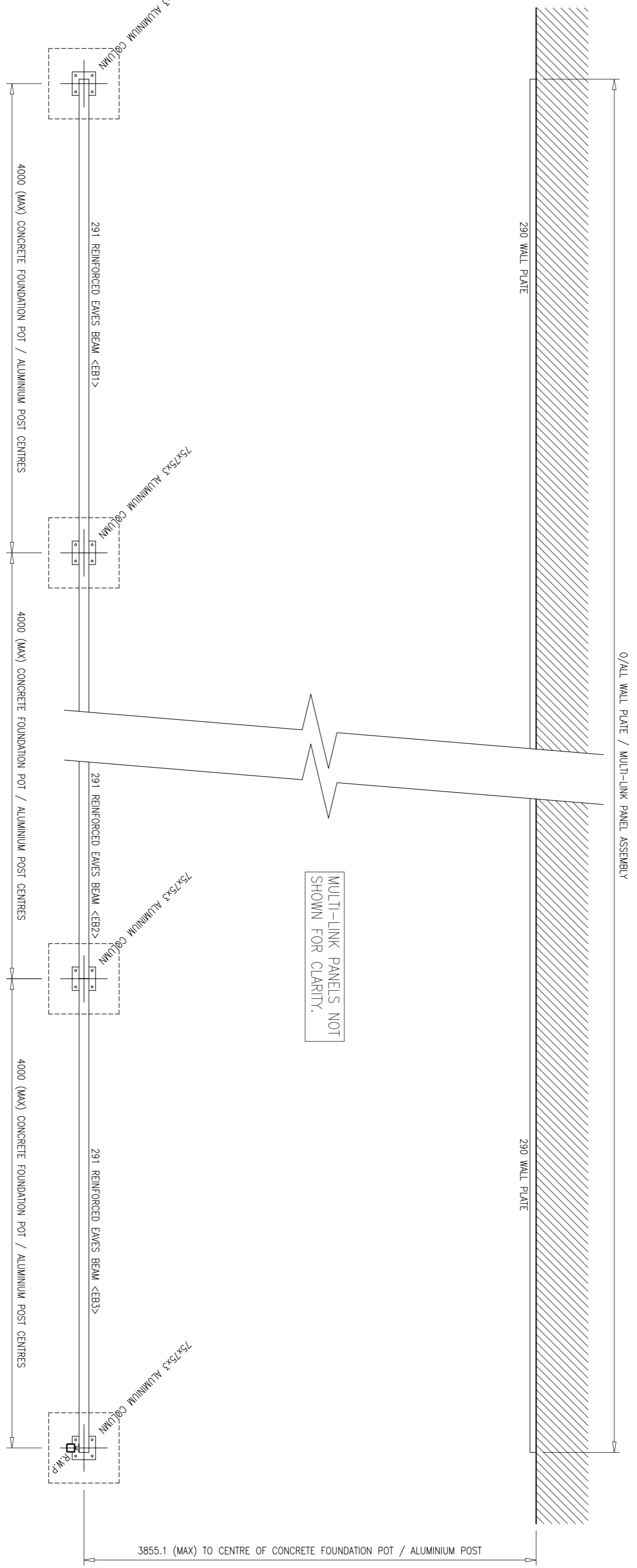


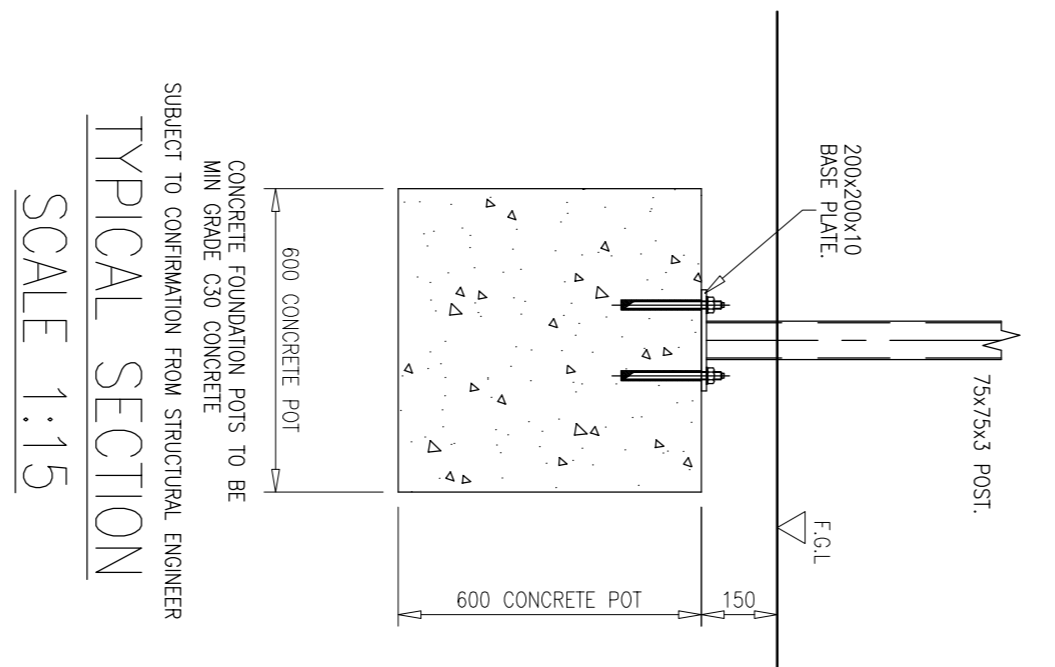
FRONT VIEW



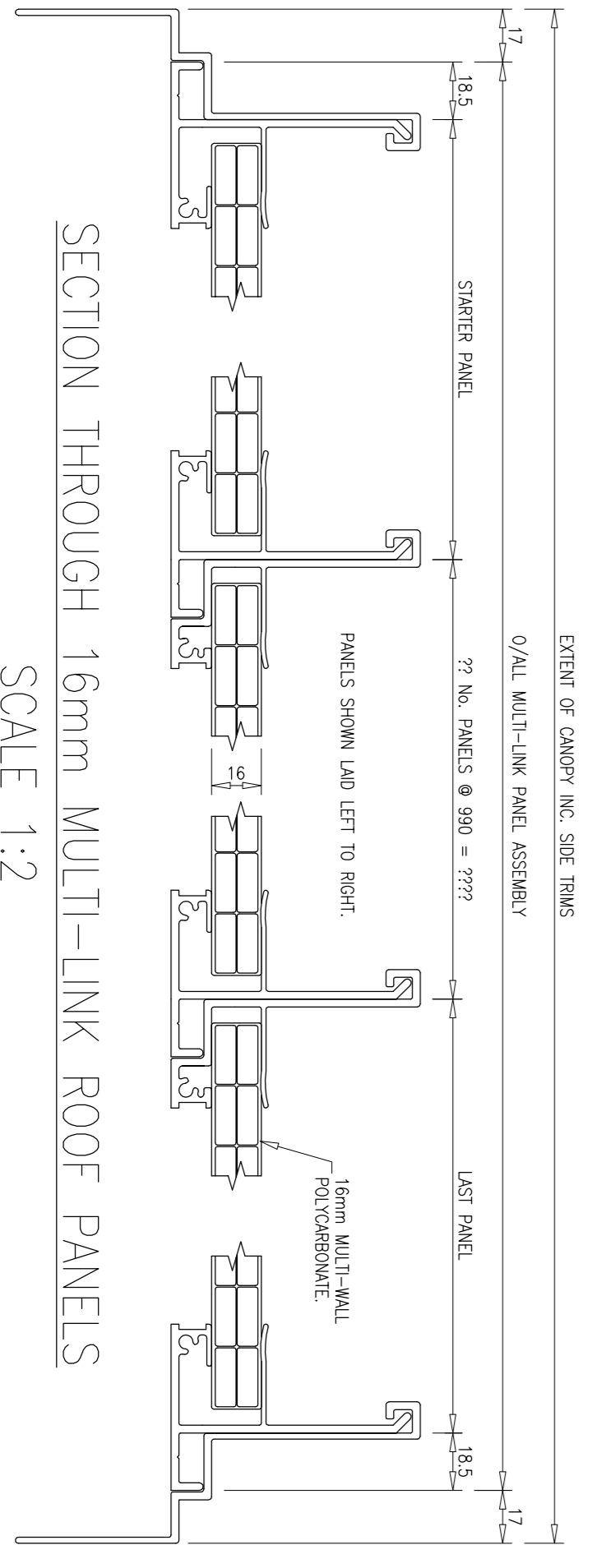
SIDE VIEW



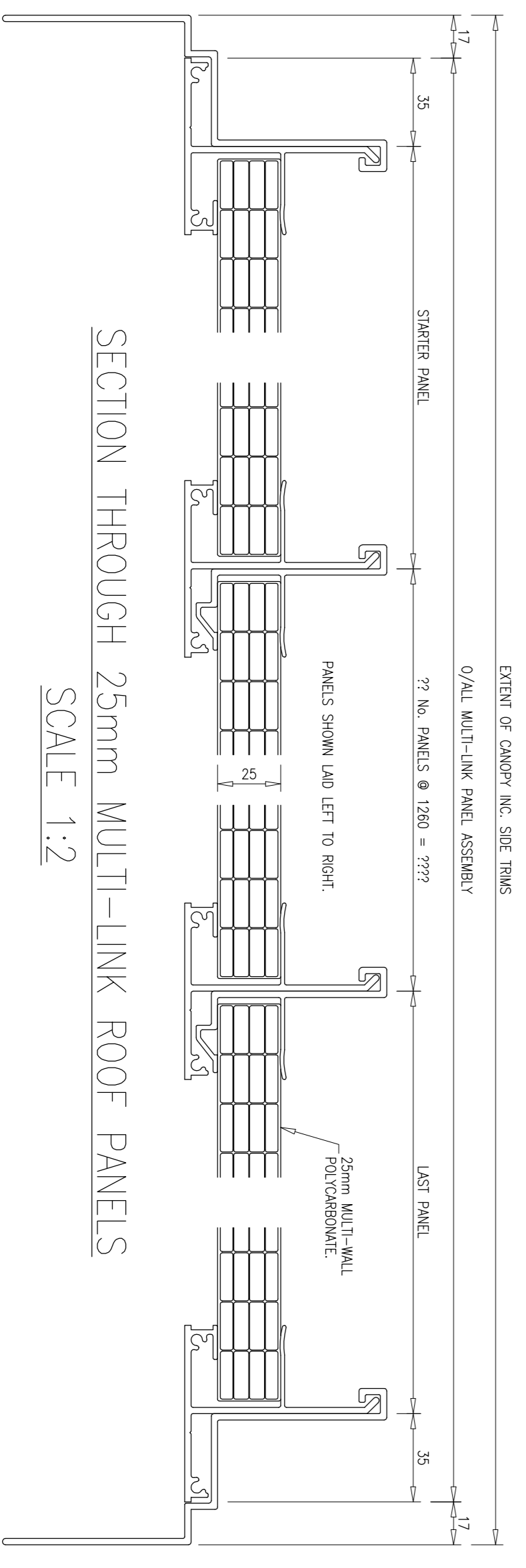
PLAN VIEW



TYPICAL SECTION  
SCALE 1:15



SECTION THROUGH 16mm MULTI-LINK ROOF PANELS  
SCALE 1:2



SECTION THROUGH 25mm MULTI-LINK ROOF PANELS  
SCALE 1:2

NO. & DATE	DESCRIPTION OF REVISION	DATE	BY

**TWINFIX**  
 THINERIX LIMITED  
 201 DANFORDSHILL BUROUSE  
 BIRCHWOOD PARK, BIRCHWOOD  
 WARRINGTON, W.A.S. 6NW1  
 TEL: 01925 811311  
 FAX: 01925 852955

DRAWING TITLE:  
 TYPICAL MERIDIAN CANOPY  
 LAYOUT AND SECTION DETAILS

SCALE: 1:20, 1:15, 1:2 @ A1  
 DRAWING NO: WB-01  
 REV: 1  
 PLOT SIZE (A)