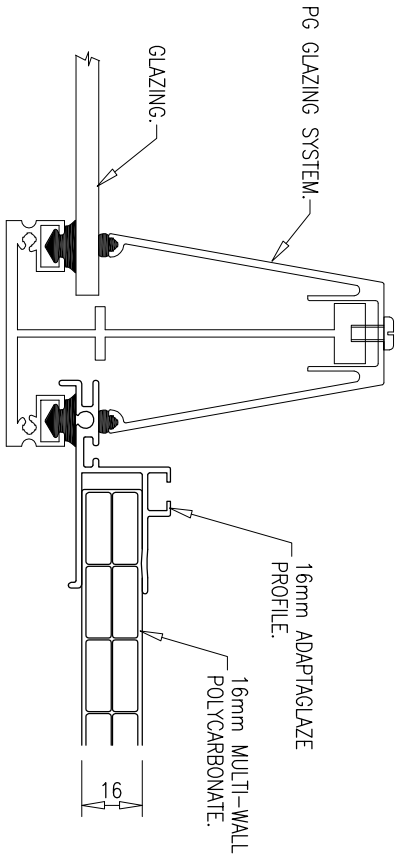
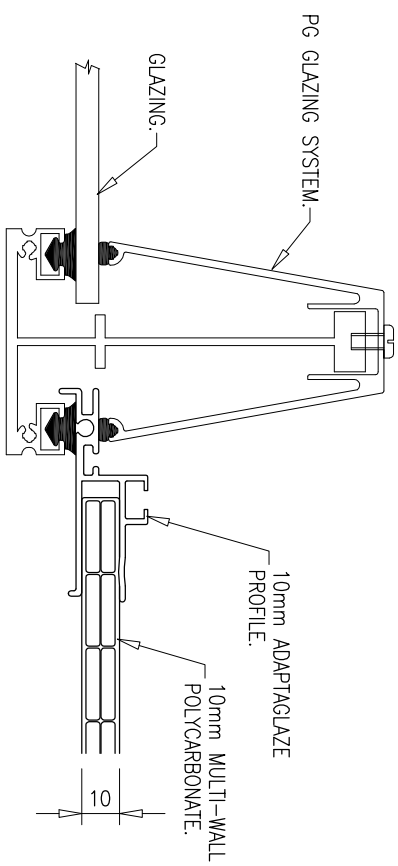


REV N°	DESCRIPTION OF REVISION	DATE	BY



SECTION THROUGH 16mm ADAPTAGLAZE



SECTION THROUGH 10mm ADAPTAGLAZE

REV N°	DESCRIPTION OF REVISION	DATE	BY
-	-	/	/

TWINFIX
TWINFIX LIMITED,
201 CAVENDISH PLACE,
BIRCHWOOD PARK, BIRCHWOOD
WARRINGTON WA3 6WU
TEL: 01925 811311
FAX: 01925 852955

DRAWING TITLE
10&16mm ADAPTAGLAZE PROFILES

SCALE 1:2 @ A4 DRAWING N° WB-04 REV N° -